

KORNER PROTECTOR

Corner for protection and signalisation

KORNER PROTECTOR protect both item and people.

Warehouse



Loading bay

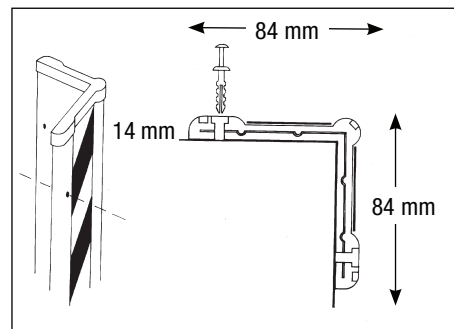


Excellent visibility in rear view mirrors for easier docking.



Advantages

- ▶ **Almost indestructible.** Stay resistant over time thanks to the specially designed metal core section.
- ▶ **High resistance to shocks** through the inner metal core and sound through the **outer skin absorption.**
- ▶ Highly visible stripes for signalisation.
- ▶ Easy and fast to fix with pre-drilled holes (screws and rawlplugs provided).
- ▶ Also exist in luminous version (yellow and black only). Korner Protector Luminous store light in a few seconds and will glow in the dark for several minutes.



Uses

- ▶ Buildings: corners, doors, etc.
- ▶ Workshops: pillars, machine tool bodies, etc.
- ▶ Warehouses: Loading bays, doors, shelving, etc.
- ▶ Garages, Car parks: Protection of pillars and bodywork, etc.
- ▶ Schools, games rooms, sports halls: Wherever children could hurt themselves.

Designation	Color	Size	Packaging
Korner Protector	Black / Yellow	Length : 90 cm Weight : 2,4 kg	Sold in pairs + screws and rawlplugs
Korner Protector	Red / White		
Korner Protector Luminous	Black / Yellow		